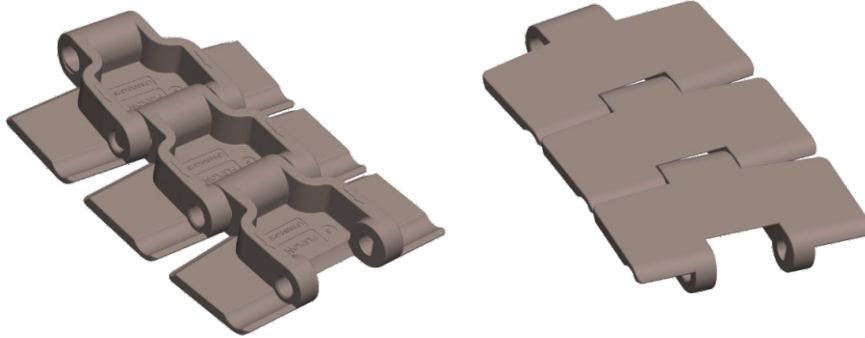




SP-880M SERIES



DIMENSION	mm	inch
P	38.1	1.50
M	42.1	1.65
V	11.0	0.43
H	15.0	0.59
E	7.10	0.28
T	4.00	0.15
D	45.0	1.77

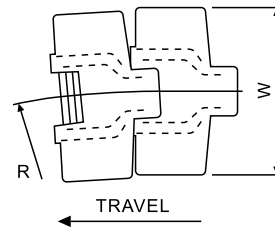
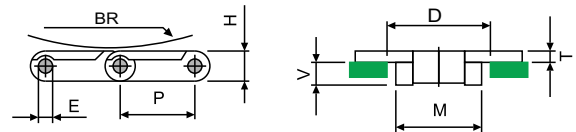


Plate Materials : polyacetal
Pin Material : Martensitic Steel

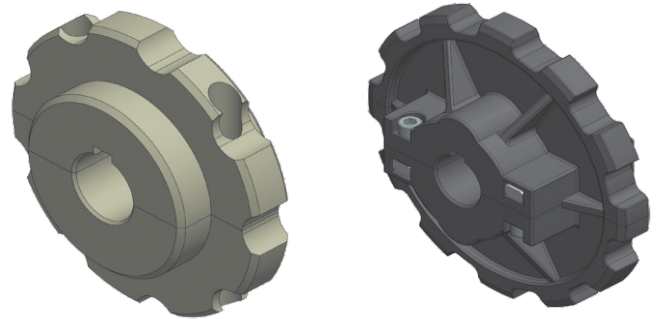
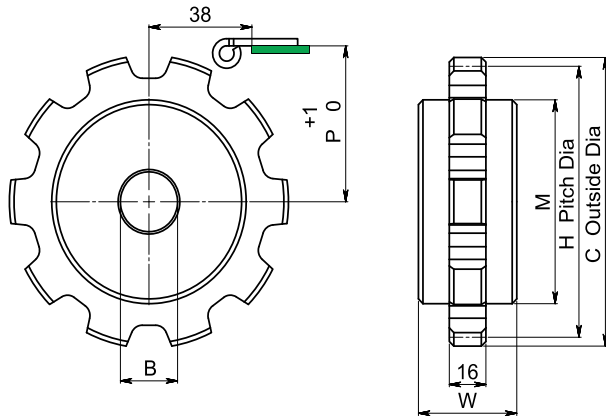
SP-880 M (Turning Magnetic Plastic Chain)

	Width W (mm)	Width W (inch)	Working Load (N)	Radius R (mm)	Backflex Radius(BR) (mm)	Weight (kg/m)
SP-880 M K325	82.5	3.25	2100	500	50	1.03
SP-880 M K450	114.3	4.50	2100	610	50	1.16

standard length : 80 pitches (10 feet - 3.048 m)



SP-880 M SERIES ACCESSORIES



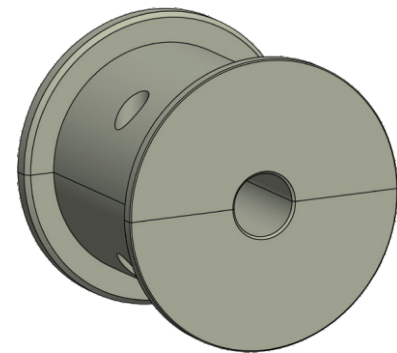
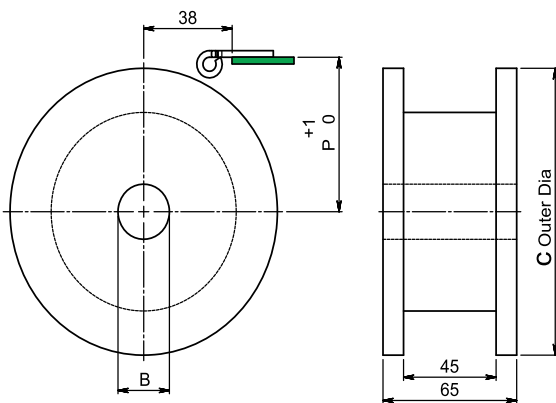
WIDTH (W)- 42.5 mm FOR M/C SPROCKET ,M/C SPLIT SPROCKET
AND 50 mm FOR MOULDED SPROCKET

MATERIAL : POLYAMIDE

SP-880 M (SPROCKET)

CODE	TEETH (Z)	C	H	P	M	M/C	M/C SPLIT	MOULDED SPLIT
SP-880 M S 9	9	110.0	111.4	59.30	76	■	■	
SP-880 M S 10	10	122.0	123.3	65.25	88	■	■	■
SP-880 M S 11	11	135.0	135.2	71.20	92	■	■	
SP-880 M S 12	12	147.3	147.2	77.20	105	■	■	■

BORE (B) - \varnothing 25,30,35



MATERIAL : POLYAMIDE

SP-880 M (IDLER)

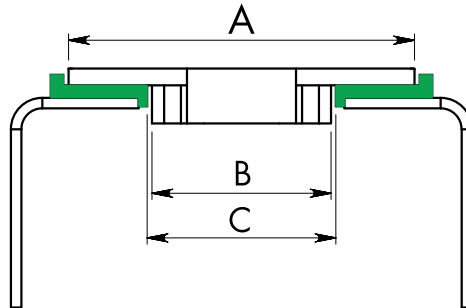
CODE	TEETH Z	C	P	M/C	M/C SPLIT
SP-880 M I 9	9	117.0	62.6	■	■
SP-880 M I 10	10	129.8	68.6	■	■
SP-880 M I 11	11	142.2	74.6	■	■
SP-880 M I 12	12	154.7	80.5	■	■

BORE (B) - \varnothing 20,25,30,35

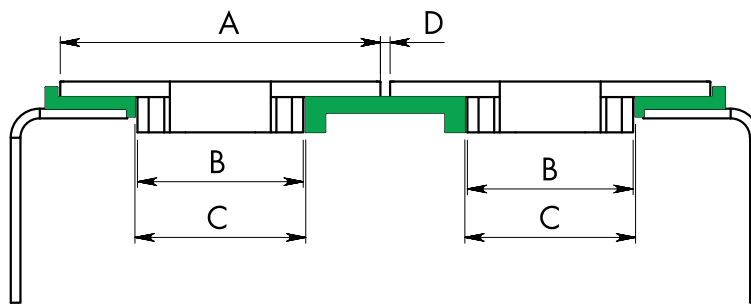


SP-880 M SERIES ACCESSORIES

CHAIN POSITIONING FOR SINGLE ROW



CHAIN POSITIONING FOR MULTIPLE ROW

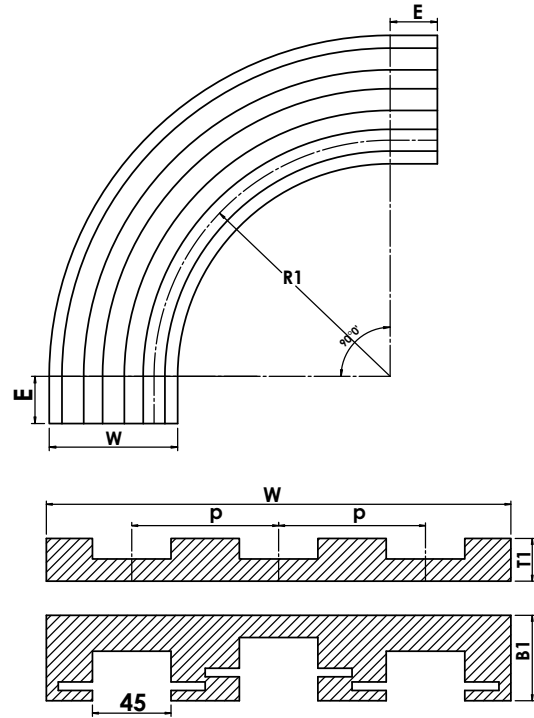
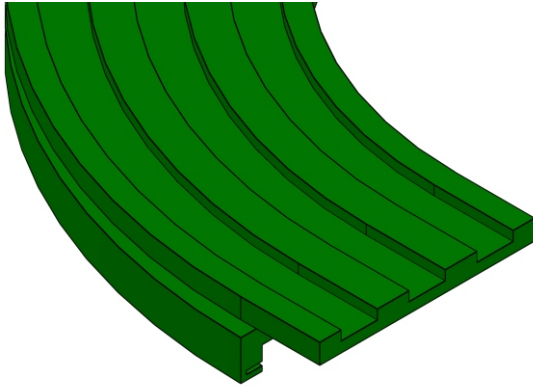


SP-880 M (CHAIN POSITION)

CHAIN CODE	A	B	C	D
SP-880TAB K325	82.5	42.1	44.0	2.5
SP-880TAB K450	114.3	42.1	44.0	2.5



880M CORNER TRACK



Material : UHMWPE

Color : ●●

SP-880M CORNER TRACK

Chain Type	Tracks	Width (W)	Thickness	
			T1	B1
K325 PITCH (P) - 85 mm RADIUS (R1) - 500, 610,650,800,1000 E = 50 & 100 mm	1	100	27	55
	2	185	27	63
	3	270	27	63
	4	355	27	63
	5	440	27	63
	6	525	27	63

Chain Type	Tracks	Width (W)	Thickness	
			T1	B1
K450 PITCH (P) - 120 mm RADIUS (R1) - 500, 610,650,800,1000 E = 50 & 100 mm	1	129	27	63
	2	249	27	63
	3	369	27	63
	4	489	27	63

Chain Type	Tracks	Width (W)	Thickness	
			T1	B1
K750 PITCH (P) - 196 mm RADIUS (R1) - 610, 750, 860, 1000 E = 50 & 100 mm	1	214	27	63

Total track width = (p x (no.of track - 1)) + Basic width

Basic width = single track width